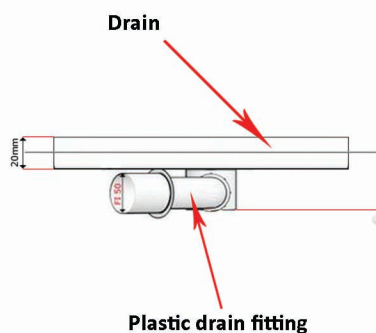
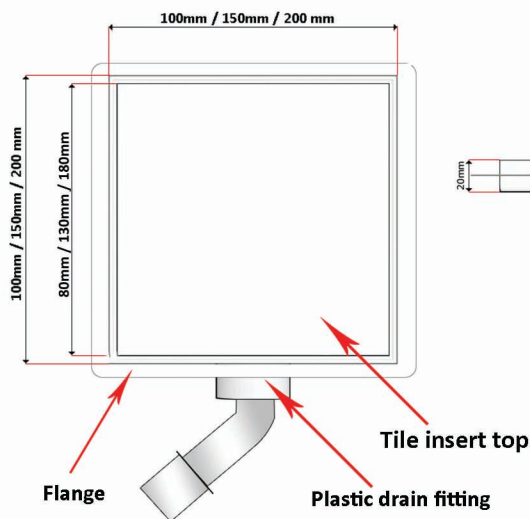


Stainless steel tile insert square floor drains "KF_zab_p"

(plastic outlet siphon fi50)

POINT SERIES

SHOWER DRAINS



THE SET INCLUDES:

- lid which enable tile top option
- drain channel
- plastic drain fitting PCV McAlpine which can be cleaned from above
- flange
- the trap and the outlet

ASSEMBLY ACCESSORIES

- waterproofing membrane
- possibility to move the outlet

TECHNICAL CHARACTERISTICS:

- width with flange 115mm/165mm/215mm
- width without flange 100mm/150mm/200mm
- grate width 90mm/140mm/190
- drain high up to flange 85mm
- drain high including top - 95mm
- water outlet diameter fi50
- flow rate 40l/min
- warranty cover period - 5 years
- material used for this drain type - stainless steel 304

Lid patterns available:
tile insert top



High quality products
Shower Drains - 100 % stainless steel!